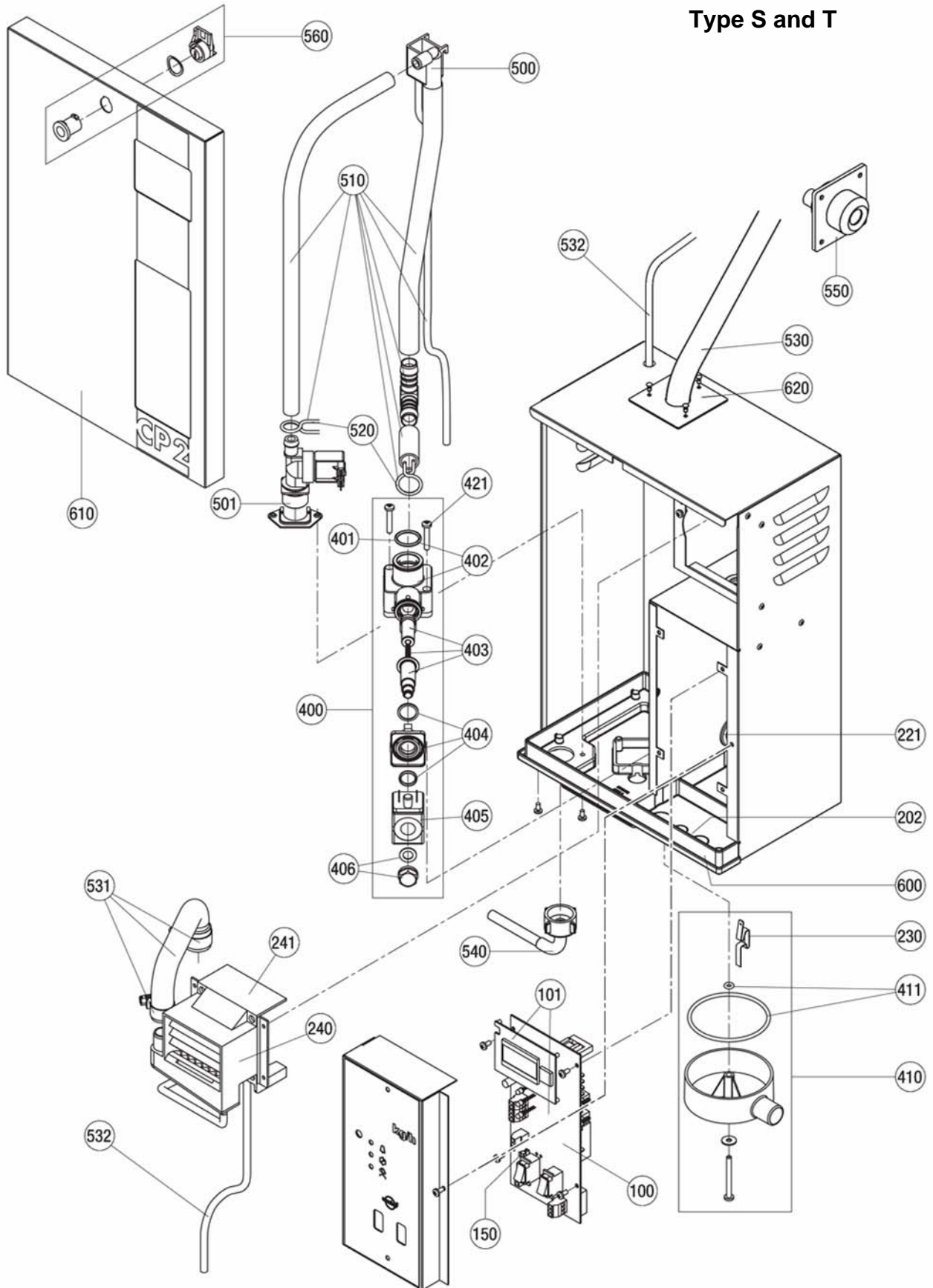


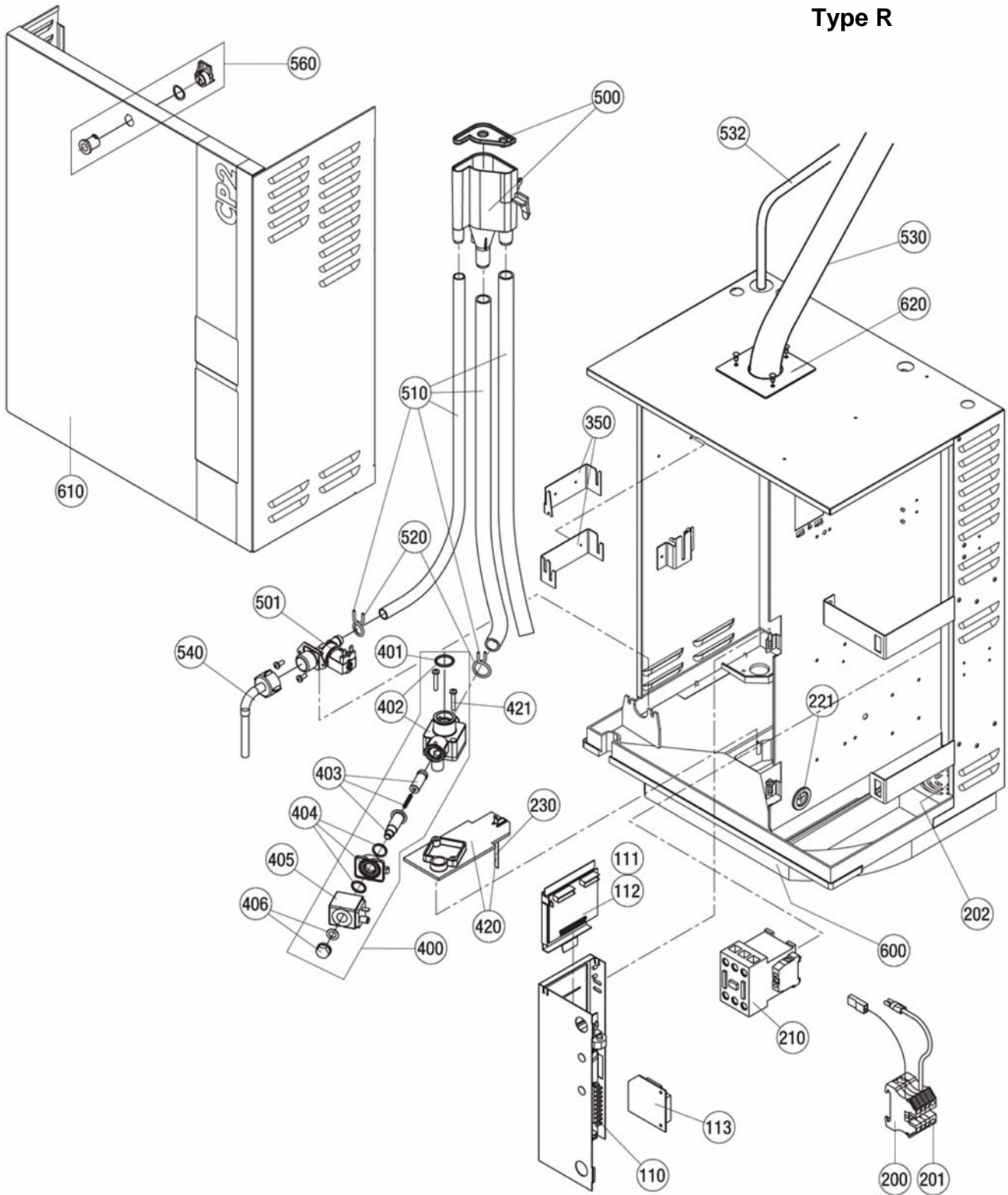
Condair CP2 Type T/S/R – Panel & Cylinders

Type S and T

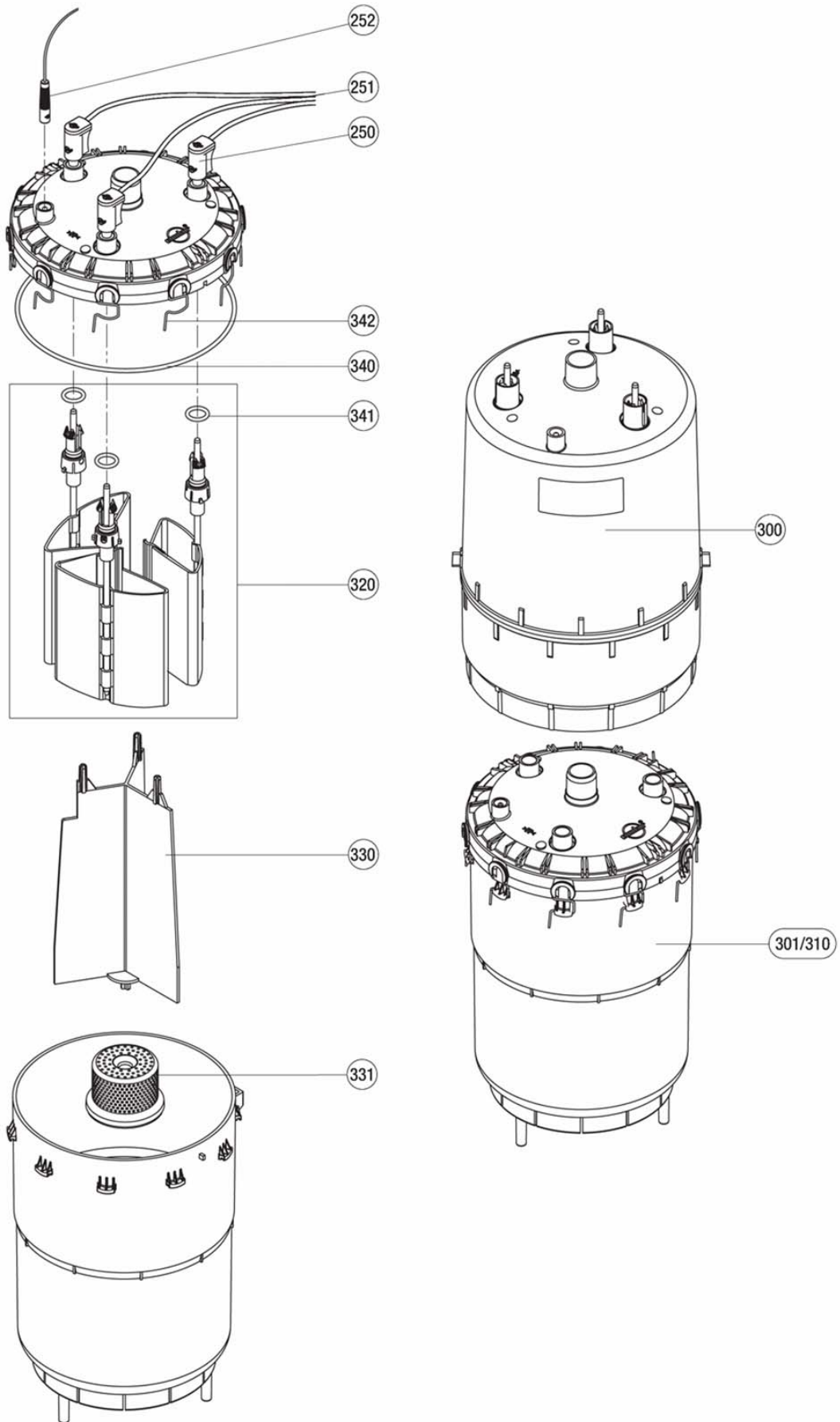


Condair CP2 Type T/S/R – Panel & Cylinders

Type R



Condair CP2 Type T/S/R – Panel & Cylinders



Condair CP2 Type T/S/R – Panel & Cylinders

Pos.	Article	Type	H2-H4 (R1)	N2-N4 (R2)	H5-H8 (S2)	G5-G8 (S3)	F5-F8 (S3)	F9-F15 (S4)	G9-G15 (S5)	F16-F25 (T5)	G16-G21 (T7)	G22-G30 (T7)	F26-F45 (T7)	Art./SAP-No.
100	Electronics without module		1	1										1115801
101	Electronics with module M		1	1										1115802
110	Electronics without module				1	1	1	1	1	1	1	1	1	1115803
111	Module M3 (small display)				1	1	1	1	1	1	1	1	1	1115600
112	Module M4 (large display)				1	1	1	1	1	1	1	1	1	1115602
113	Relay print	REL			1	1	1	1	1	1	1	1	1	1115604
150	Control fuse, set with 10 pcs.	250mAT (5x20mm)	1	1	1	1	1	1	1	1	1	1	1	1115804
200	Terminal socket with cable cpl.	KLS KLT			1	1	1	1	1	1	1	1	1	1115606 1115608
201	Earth terminal	16 mm ² 4 mm ²	1 1	1 1	1 1	1 1	1 1	1 1	1 1	1 1	1 1	1 1	1 1	1115805 1115806
202	Cable glands	PG40 PG60 PG80	1	1	1	1	1	1	1	1	1	1	1	1115609 1101952 1101774
210	Contactor 230V, 50/60Hz	22 A 35 A 65 A			1	1	1	1	1	1	1	1	1	1115507 1115511 1115809
221	Rubber spout, set with 2 pcs.		1	1	1	1	1	1	1	1	1	1	1	1102662
230	Earth electrode		1	1	1	1	1	1	1	1	1	1	1	1115817 1115818
240	Fan	230V, 50/60Hz 24V mit/with/avec Trafo		1 1										1115819 1119265
—	Transformer for fan 24V			1										1119266
241	FAN case cpl.			1										1115820
250	Cylinder plug, 3 pcs.	ø 5mm ø 6mm	1	1	1	1	1	1	1	2	2	2	2	1102495 1101868
	Allan-key for cylinder plug	ø 5mm ø 6mm	1	1	1	1	1	1	1	1	1	1	1	1115821 1102444

Condair CP2 Type T/S/R – Panel & Cylinders

Pos.	Article	Type	H2-H4 (R1)	N2-N4 (R2)	H5-H8 (S2)	G5-G8 (S3)	F5-F8 (S3)	F9-F15 (S4)	G9-G15 (S5)	F16-F25 (T5)	G16-G21 (T7)	G22-G30 (T7)	F26-F45 (T7)	Art.-/SAP-No.
251	Cable tree cpl.		1	1	1	1	1	1	1	1	1	1	1	1115810 1117932 1117933 1117934 1117935 1117936 1117937
252	Sensor plug with cable	ø 5mm	1	1	1	1	1	1	1	1	1	1	1	1115822
300	Exchange cylinder	A240 A342 A343 A363 A444 A464 A644 A654 A664 A674	1	1	1	1	1	1	1	1	1	1	1	5020001 5020006 5020007 5020010 5020012 5020014 5020021 5020022 5020024 5020025
301	Cleanable steam cylinder with electrodes	D342 D343 D363 D444 D464 D644 D654 D664 D674			1	1	1	1	1	1	1	1	1	5020032 5020033 5020036 5020037 5020038 5020039 5020040 5020041 5020042
310	Cleanable steam cylinder (empty)	D301 D401 D601			1	1	1	1	1	1	1	1	1	1115776 1115777 1115778
320	Set electrodes (without divider)	E342 (D342) E343 (D343/363) E444 (D444/464) E644 (D644/664) E654 (D654/674)			1	1	1	1	1	1	1	1	1	1115779 1115780 1115781 1115782 1115783
330	Divider to clean. steam cylinder	D363 D464 D664/674					1	1		1			1	1115784 1115785 1115786
331	Strainer to clean. steam cylinder	3-600			1	1	1	1	1	1	1	1	1	1106695
340	O-ring seal to clean. steam cylinder	D301 D401 D601			1	1	1	1	1	1	1	1	1	1115787 1115788 1115789
341	Seal ring to cleanable steam cylinder, set with 4 pcs.				1	1	1	1	1	2	2	2	2	1102225
342	Clip to cleanable steam cylinder, set with 4 pcs.				2	2	2	3	3	3	3	3	3	1115790
350	Fixing device for cleanable steam cylinder	D401 D601						1	1	1	1	1	1	1118497 1118498
400	Outlet solenoid valve compl.	220-240V, 50Hz 240V, 60Hz	1	1	1	1	1	1	1	1	1	1	1	1116962
401	O-ring seal (pocket with 10 pcs)		1	1	1	1	1	1	1	1	1	1	1	1102867
402	Outlet valve body with O-ring		1	1	1	1	1	1	1	1	1	1	1	1116603
403	Outlet valve armature compl.		1	1	1	1	1	1	1	1	1	1	1	1116601

Condair CP2 Type T/S/R – Panel & Cylinders

Pos.	Article	Type	H2-H4 (R1)	N2-N4 (R2)	H5-H8 (S2)	G5-G8 (S3)	F5-F8 (S3)	F9-F15 (S4)	G9-G15 (S5)	F16-F25 (T5)	G16-G21 (T7)	G22-G30 (T7)	F26-F45 (T7)	Art.-/SAP-No.
404	Snap-on ring compl.		1	1	1	1	1	1	1	1	1	1	1	1116602
405	Field coil	220-240V, 50Hz 240V, 60Hz	1	1	1	1	1	1	1	1	1	1	1	1106165
406	Headscrew + washer (pocket with 10 pcs)		1	1	1	1	1	1	1	1	1	1	1	1102383
410	Drain channel round cpl.		1	1										1115823
411	Set o-ring seal for drain channel (2 x 1pcs.)		1	1										1115824
420	Trap-cover cpl.				1	1	1	1	1	1	1	1	1	1115825
421	Grooved screw (pocket with 10 pcs)	4 x 32mm 4 x 40mm	2	2	2	2	2	2	2	2	2	2	2	1102551 1115826
500	Filling cup cpl.		1	1	1	1	1	1	1	1	1	1	1	1115827 1115828
501	Inlet valve	0.45 l/min. 0.45 l/min. 1.2 l/min. 2.5 l/min.	1	1	1	1	1	1	1	1	1	1	1	1115829 1115830 1115831 1115832
510	Set rubber hose cpl.		1	1	1	1	1	1	1	1	1	1	1	1115833 1115834 1115835
520	Set hose clip (2xø21mm/2xø16mm)		1	1	1	1	1	1	1	1	1	1	1	1115836
530	Steam hose (per m)	DS22 (ø 29/22mm) DS60 (ø 38/30mm) DS80 (ø 54/45mm)	x	x	x	x	x	x	x	x	x	x	x	1105176 1103922 1102878
531	Steam hose bend cpl.			1										1115837
532	Condensate hose (per m)	ø 9.5/5mm ø 12/8mm	x	x	x	x	x	x	x	x	x	x	x	1103375 1103350
540	Water supply cpl.		1	1	1	1	1	1	1	1	1	1	1	1101621
550	Steam nozzle cpl.	W21	1											1115610
560	Catch lock cpl.		1	1	1	1	1	1	1	1	1	1	1	1102353
600*	Bottom plate		1	1	1	1	1	1	1	1	1	1	1	1114732 1114723 1114724
610*	Housing door	Standard INOX Standard INOX Standard INOX Standard INOX	1 1 1 1 1 1	1 1 1 1 1	1 1 1 1 1	1 1 1 1 1	1 1 1 1 1	1 1 1 1 1	1 1 1 1 1	1 1 1 1 1	1 1 1 1 1	1 1 1 1 1	1 1 1 1 1	1114728 1115848 1114729 1115847 1114718 1115846 1114722 1115845
620	Cover plate	ø30 mm ø39 mm ø55 mm			1 1 1	1 1 1	1 1 1	1 1 1	1 1 1	1 1 1	1 1 1	1 1 1	1 1 1	1117592 1117593 1117594