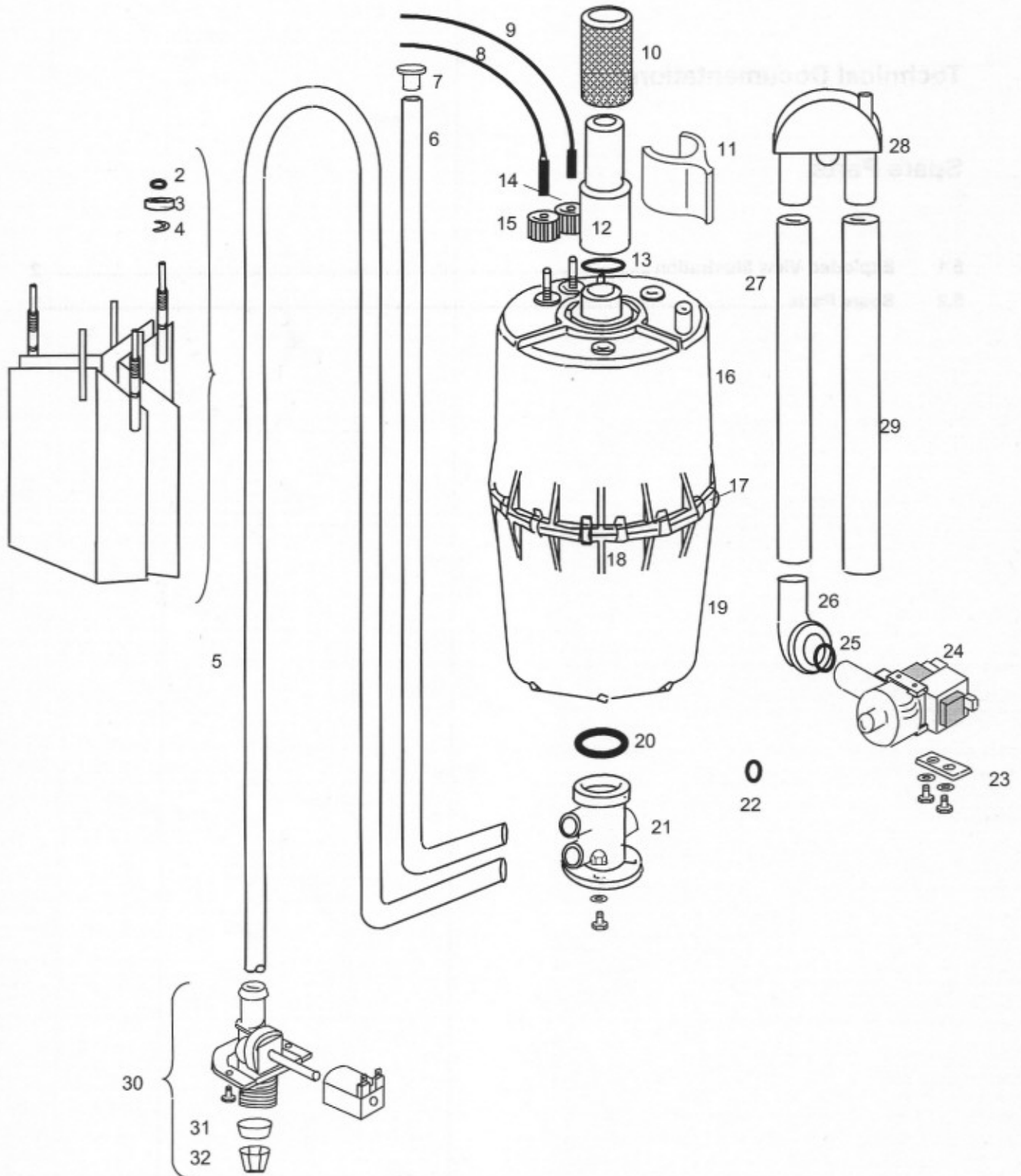


5.1 Exploded View Illustration



*	HY1	HY2	HY3	HY4	HY5	HY6	HY7	Articel No.	Description
								E-2124010	Keys for safety, set=2pc.
								E-2124012	Safety lock incl. 2 keys
								Steam generation	
	1							B-3204031	Steam cylinder CY8 compl. with electrodes and hand nuts **
		1						B-2204101	Steam cylinder CY17 DN 25 compl. with electrodes and hand nuts **
			1					B-2204111	Steam cylinder CY17 DN 40 compl. with electrodes and hand nuts **
				1			2	B-2204105	Steam cylinder CY30 compl. with electrodes and hand nuts **
					1		2	B-2204109	Steam cylinder CY45 compl. with electrodes and hand nuts **
16	1							E-3226005	Top part of steam cylinder CY8 DN 25/12, empty
16		1						E-2206068	Top part of steam cylinder CY17 DN 25/12, empty
16			1					E-2206082	Top part of steam cylinder CY17 DN 40/12, empty
16				1			2	E-2206069	Top part of steam cylinder CY30 DN 40/12, empty
16					1		2	E-2207001	Top part of steam cylinder CY45 2 x DN 40/12, empty
19	1							B-3216007	Lower part of steam cylinder compl. with strainer **
19		1	1					B-2206046	Lower part of steam cylinder compl. with strainer **
19				1			2	B-2206071	Lower part of steam cylinder compl. with strainer **
19					1		2	B-2207002	Lower part of steam cylinder compl. with strainer **
17	1							E-3216010	O-ring seal for cylinder flange, transparent cylinder
17		1	1					E-2206050	O-ring seal for cylinder flange, transparent cylinder
17				1			2	E-2206051	O-ring seal for cylinder flange, transparent cylinder
17					1		2	E-2207011	O-ring seal for cylinder flange, transparent cylinder
20	1							E-3216011	O-ring seal for cylinder base
20		1	1	1	1	2	2	E-2204022	O-ring seal for cylinder base
1	1							B-3204019	Electrodes compl. with hand nuts, set=3pc. for CY8
1		1						B-2204081	Electrodes compl. with hand nuts, set=3pc. for CY17
1			1	1			2	B-2204083	Electrodes compl. with hand nuts, set=6pc. for CY17, CY30 DN40
1					1		2	B-2204085	Electrodes compl. with hand nuts, set=6pc. for CY45 DN40
	1							B-3204027	Sensor electrode compl. with hand nuts
		1	1	1	1	2	2	B-2204075	Sensor electrode compl. with hand nuts
	1	1	1	1	1	2	2	E-3216025	Plug-in contact with isolating hose for sensorelectrode
	3							E-3216024	Plug-in contact with isolating hose for steam generating electrodes
		3	6	6		12		E-2206059	Plug-in contact with isolating hose for steam generating electrodes
					6		12	E-2207016	Plug-in contact with isolating hose for steam generating electrodes
18	12	18	18	24	24	48	48	E-3216022	Clamp for flange of transparent cylinder
21	1							E-3220000	Cylinder base DN20/25/15/12
21		1	1	1	1	2	2	E-2206086	Cylinder base DN40/25/15/12
	1	1	1	1	1	1	1	B-3216023	Mounting set for Cylinder base
	1	1	1	1	1	2	2	E-2204035	Condensate plug DN12
12	1							E-3221002	Adapter for steam hose DN25, CY8
12		1						E-2209000	Adapter for steam hose DN25, CY17
12			1					E-2209004	Adapter for steam hose DN40, CY17
12				1			4	E-2209006	Adapter for steam hose DN40, CY 30
12					1		4	E-2209008	Adapter for steam hose DN40, CY 45
11	1	1						E-3221004	Clip for adapter DN25
11			1	1	1	4	4	E-2209002	Clip for adapter DN40
13	1	1						E-3221006	O-ring for adapter DN25
13			1	1	1	4	4	E-2209010	O-ring for adapter DN40
	1							B-3216079	maintenance set for steam cylinder***
		1						B-2207029	maintenance set for steam cylinder***
			1					B-2207031	maintenance set for steam cylinder***
				1			2	B-2207033	maintenance set for steam cylinder***
					1		2	B-2207035	maintenance set for steam cylinder***

* see diagram 5.1

*	HY1	HY2	HY3	HY4	HY5	HY6	HY7	Articel No.	Description
Water feed									
5	0,90	1,60	1,60	1,60	1,90	1,60	1,90	E-2604014	Connecting hose solenoid valve - cylinder base
30	1							B-2304021	Solenoid valve, servo controlled, straight type, 0,2-10bar, 2,5 l/min.
30		1	1	1	1	2	2	B-2304023	Solenoid valve, servo controlled, straight type, 0,2-10bar, 3,5 l/min.
		1	1	1	1	2	2	B-2304031	Hose for water connection, 3/4" cap nuts on both sides
31	1							E-3320400	Flow rate controller 2,5 l/min
31		1	1	1	1	2	2	E-2321100	Flow rate controller 3,5l /min
32	1	1	1	1	1	2	2	E-2304029	Fine filter in the inlet fitting of solenoid valve
6	0,40	0,70	0,70	0,70	0,80	0,70	0,80	E-2604010	Hose for manual water drain
	1	1	1	1	1	2	2	E-2305002	seal for hose for water connection (B-2304031)
7	1	1	1	1	1	1	1	E-2604062	Stopper, conical, lock for hose E-2604010
Water drain									
	1							B-3401017	Pump-drain-hose-system (Pos. 25 - 29)
		1	1					B-3401019	Pump-drain-hose-system (Pos. 25 - 29)
				1		2		B-3401013	Pump-drain-hose-system (Pos. 25 - 29)
					1	2		B-3401021	Pump-drain-hose-system (Pos. 25 - 29)
25	1	1	1	1	1	2	2	E-3220005	O-ring for pump-adapter
22	1	1	1	1	1	2	2	E-3220005	O-ring for cylinder base -pump
		1	1	1	1	1	1	E-2404024	O-ring for drain pump (cover-motor)
24	1	1	1	1	1	2	2	B-2404027	Drain pump without mounting set
23	1	1	1	1	1	2	2	B-2424014	Mounting set for drain pump
28	1	1	1	1	1	2	2	E-2425004	vent pipe with aeration
Control universal									
	1							E-2501005	Main contactor 16 A, 230 V
		1						E-2501006	Main contactor 24 A, 230 V
			1	1		2		E-2505007	Main contactor 40 A, 230 V
					1	2	2	E-0505009	Main contactor 63 A, 230 V
	1	1	1	1	1	2	2	E-2505206	Control fuse 1,6 A, 5x20 mm
8	1							B-3526017	Connecting cables for electrodes with plug-in contact, set=3pc
8		1						B-2524019	Connecting cables for electrodes with plug-in contact, set=3pc
8			1	1				B-2524017	Connecting cables for electrodes with plug-in contact, set=6pc
8					1			B-2524139	Connecting cables for electrodes with plug-in contact, set=6pc
8						1		B-2524141	Connecting cables for electrodes with plug., short, set=6pc
8						1		B-2524143	Connecting cables for electrodes with plug., long, set=6pc
8							1	B-2524145	Connecting cables for electrodes with plug., short, set=6pc
8							1	B-2524147	Connecting cables for electrodes with plug., long, set=6pc
Steam generation with electrical supply higher than 500V									
		1	1			2		E-2206054	O-ring CY17, silicone, for cylinder flange
				1		2		E-2206056	O-ring CY30, silicone, for cylinderflange
					1	2	2	E-2207014	O-ring CY45, silicone, for cylinderflange
		1						B-2208007	Cylinder star CY17/3
			1					B-2208013	Cylinder star CY17/6
				1		2		B-2208009	Cylinder star CY 30
					1	2	2	B-2208011	Cylinder star CY 45
		2,5	5	8		16		E-9000110	Cable H07V-K2,5 [m]
		3	6	6		12		E-2206059	Plug-in conatct for electrode 35A
					8	16		E-9000132	Cable H07V-K6,0 [m]
					6	12		E-2207016	Plug-in conatct for electrode 63A

* see diagram 5.1

*	HY1	HY2	HY3	HY4	HY5	HY6	HY7	Artikel Nr.	Description
								Control, electrical supply higher than 500V	
		1	1	1	1	2	2	E-2504158	Transformer 690V/230V, 25VA
		1	1	1	1	2	2	E-2504168	Transformer 480V-500V/230V
		1	1	1	1	2	2	E-2504160	Transformer 600V/230V
		1	1	1	1	1	1	E-2504166	Transformer 660V-690V/230V, 130VA
		1	1	1	1	2	2	E-2504166	Transformer 690V/230V, 130VA
					1			E-2507024	Main contactor 60A, 230 V/690V
			1	1		2	2	E-2507022	Main contactor 40A, 230 V/690V
		1						E-2507018	Main contactor 25A, 230 V/690V
		1	1	1	1	2	2	E-2590102	Line safety switch, 1 A
								Control, electrical supply between 416V and 480V	
					1		1	E-2507024	Main contactor 60 A, 230 V/690V
		1	1	1		2		E-2507022	Main contactor 40 A, 230 V/690V
1	1							E-2507018	Main contactor 25 A, 230 V/690V
1	1	1	1	1	1	2	2	E-2504157	Transformer 416V-460V/230V
1	1	1	1	1	1	2	2	E-2504168	Transformer 480V/230V
								Control, electrical supply below 230V	
					1			E-2504092	Main contactor 100 A, 230 V
			1	1		2		E-0505009	Main contactor 63 A, 230 V
		1						E-2505007	Main contactor 40 A, 230 V
1								E-2501006	Main contactor 24 A, 230 V
				1				B-2524015	Cable for electrode 35A/6mm ²
								L3-control	
	1	1	1	1	1	2	2	B-3504071	L3-control pcb without module holder
	1	1	1	1	1	2	2	E-2502412	Control switch, single pole, middle position "0"
	1	1	1	1	1	2	2	B-2120851	Mounting plate for controls with foil
								EMP-control	
	1	1	1	1	1	2	2	B-2525177	EMP-control with display and operating panel
	1	1	1	1	1	2	2	E-2502414	Control switch, double-pole
	1	1	1	1	1	2	2	B-2120853	Mounting plate for controls with foil
								DS-control	
	1	1	1	1	1			B-2525187	DS-control with display and operating panel (from 8.4.2002)
	1	1	1	1	1			B-2525175	DS-control with display and operating panel (until 8.4.2002)
	1	1	1	1	1			E-2502414	Control switch, double-pole
	x	x	x	x	x			B-2120855	Mounting plate for control with foil (from 8.4.2002)
	x	x	x	x	x			B-2120853	Mounting plate for control with foil (until 8.4.2002)
	x	x	x	x	x			E-0605228	Temperature sensor TF104
	x	x	x	x	x			B-2505207	Holder for temperature sensor TF104 incl. mounting set
	x	x	x	x	x			E-0605232	Temperature sensor ATF2
	x	x	x	x	x			E-0605234	Temperature sensor FTF
	x	x	x	x	x			E-2505206	Fuse for light, fan, essence injector 1.6A, 5x20mm
	x	x	x	x	x			E-3516026	Fuse for transformer 2A, 5x20mm
	x	x	x	x	x			E-2504154	Transformer 230/24V/130VA
								Essence injector	
	1	1	1	1	1			B-2604091	Peristaltic pump DSP9911; 230V/50Hz; 50ml/min
	1	1	1	1	1			B-2604083	Peristaltic pump DSP9911; 24V/50Hz; 50ml/min
	1	1	1	1	1			E-2604072	Hose for peristaltic pump DSP9431
	1	1	1	1	1			E-2604070	Hose for essence injection; silicone 6x1,5

* see diagram 5.1

*	HY1	HY2	HY3	HY4	HY5	HY6	HY7	Artikel Nr.	Description
									Accessoires
10	x	x						E-2604012	Steam hose DN 25, per m
10			x	x	x	x	x	E-2604013	Steam hose DN 40, per m
	x	x	x	x	x	x	x	E-2604014	Condensate hose DN 12, per m
	x	x						E-2404004	Steam hose clamp DN 25
			x	x	x	x	x	E-2604016	Steam hose clamp DN 40
	x	x	x	x	x	x	x	E-2304015	Condensate hose clamp
	x	x						B-2604026	Steam solenoid valve 0-0,4 bar, cpl. for steam hose DN 25
			x	x	x	x	x	B-2604040	Steam solenoid valve 0-0.4 bar, cpl. for steam hose DN 40
	x	x						E-2604019	Steam connector, T-piece DN 25
			x	x	x	x	x	E-2604023	Steam connector, T-piece DN 40, stainless steel
	x	x	x	x	x	x	x	E-2604021	Connectors for condensate T-piece DN 12
	x							B-2208005	Cylinder star
		x						B-2208007	Cylinder star
			x					B-2208013	Cylinder star, CY 17 DN 40
				x		x		B-2208009	Cylinder star
					x		x	B-2208011	Cylinder star
	x	x						B-2304063	Super flush complete **
			x	x	x	x	x	B-2304065	Super flush complete **
	x	x	x	x	x	x	x	B-2304031	Water connection hose, flexible, 0,6 m 3/4", with connector

* see diagram 5.1

If you order any spare parts, specify type and serial number of the unit, please.

** If the Super Flush System is installed, consider to order also a new nozzle (B-2304079), please.

The nozzle will be already installed in the lower part of steam cylinder.

*** Maintenance set consists of: electrodes (without hand nuts), O-ring for steam hose adapter, O-ring for cylinder flange, O-ring cylinder base.

Hygromatik Electrode Boiler Recommended Spares Guide

Part No	Description	Quantity											£/each			
		4-8	10-17	DB Model			HY Model									
				23-30	45	60	90	1	2	3	4	5	6	7		
SP3611281	Steam cylinder	1						1							266.00	
SP3600080			1						1						343.00	
SP3600480					1		2					1		2	595.00	
SP3612831											1				622.00	
SP3600880						1		2					1		2	922.00
SP3603282	Cylinder gasket	1						1							6.00	
SP3600088			1						1	1					23.00	
SP3609346					1		2					1		2	28.00	
SP3600884						1		2					1		2	38.00
SP3603281			1						1							139.00
SP3600081	Electrode set		1						1	1					108.00	
SP3600287				1		2					1		2		270.00	
SP3600288						1		2					1	2	360.00	
SP3600084	Drain pump	1	1	1	1	2	2								213.00	
SP3612820									1	1	1	1	1	2	2	219.00
SP3600083	Inlet solenoid valve	1													325.00	
SP3600888			1	1	1	2	2								252.00	
SP3609653									1							171.00
SP3612811										1	1	1	1	2	2	187.00
SP3603382		Drain valve o-ring	1						1							11.00
SP3600285	O-ring for steam adaptor		1	1	1	2			1	1	1	1	2	2	15.00	
SP3609647								1	1						14.00	
SP3609643											1	1	1	2	2	12.00
SP3612835	Electrode cable sets							1	1						101.00	
SP3612477										1	1				209.00	
SP3613738													1		320.00	
SP3613739														1	293.00	
SP3612824															1	254.00
SP3611287				1												277.00
SP3611288					1											296.00
SP3611289							1									299.00
SP3611184						1										302.00
SP3611185								1								307.00
SP3611286			1													266.00
SP3609567	Contactor	1						1							57.00	
SP3613721				1						1					63.00	
SP3600186					1		1				1	1		2	180.00	
SP3600187						1		1					1		2	363.00
PCBEMP	Main PCB														POA	
PCBL															POA	

Go to www.jshumidifiers.com or call 01903 858 610 for technical manuals, advice, and more information on our comprehensive range of humidifier spares.

All prices shown exclude VAT and delivery and are valid until 31/09/08.